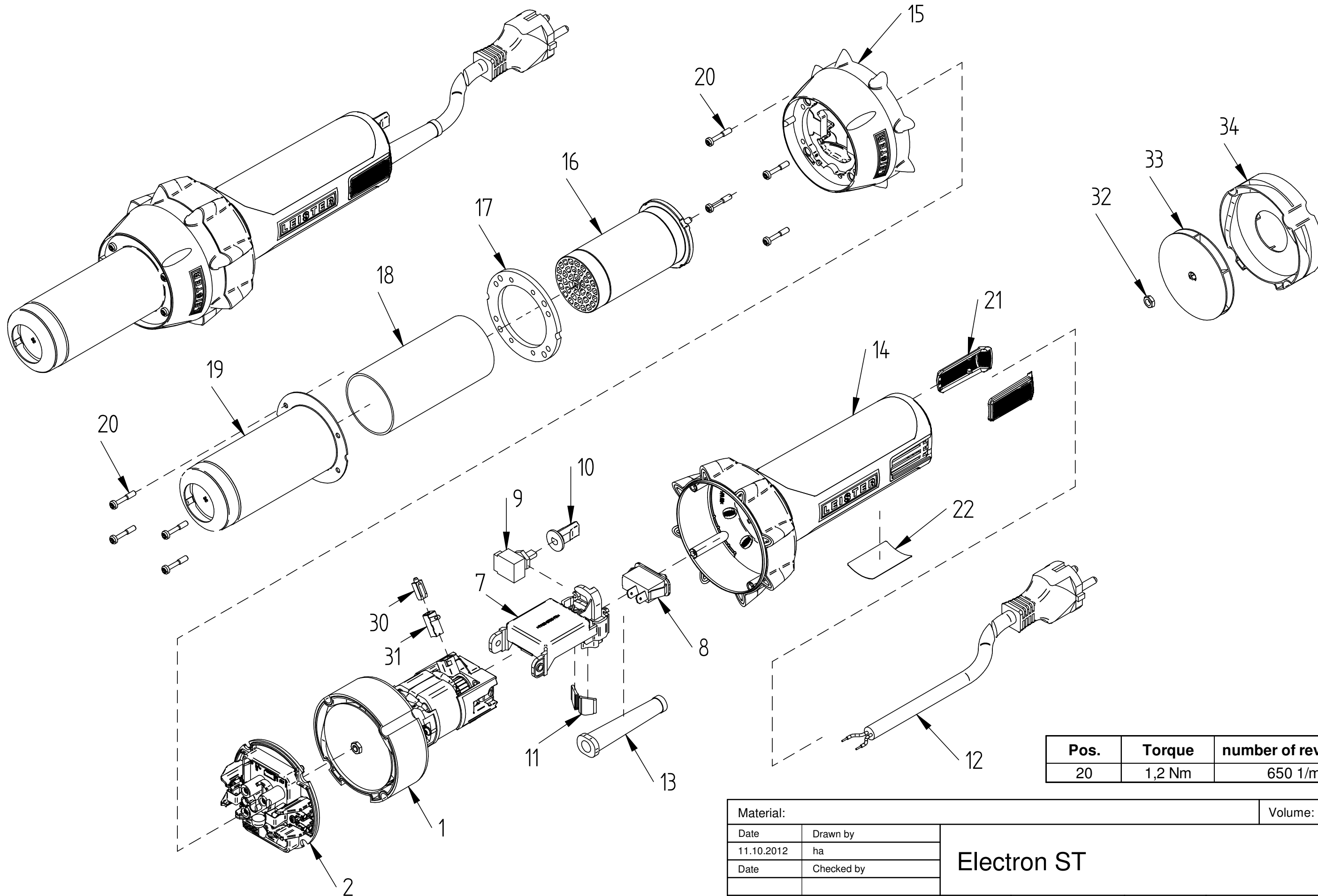


A

B

C

D



Pos.	Torque	number of revolutions
20	1,2 Nm	650 1/min.

Material:				Volume:	
Date	Drawn by	Electron ST			Sheet
11.10.2012	ha				1
Date	Checked by				of
		Format	Scale	Drawing number	Revision
Leister Technologies AG Switzerland		A3	%	020.525	B